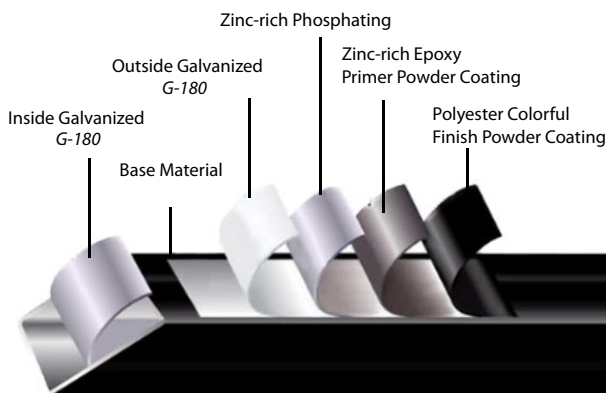
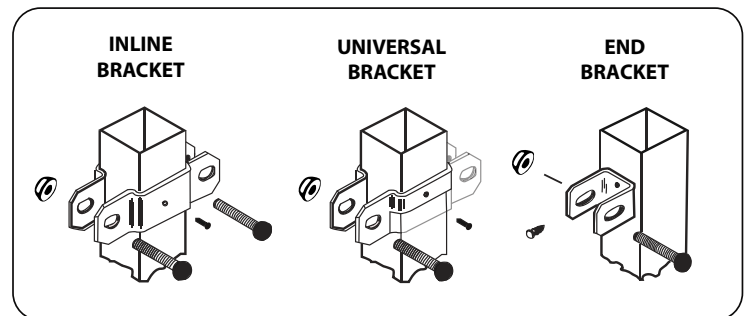


NOTES:

1. Post Spacing - 2" post 93 C/C, 2-1/2" post 93-1/2" C/C.
2. Rackable panels can be racked up to 45°.



STEEL PROTECTION SYSTEM RECEIVED

DVP449

2023-FEB-06

Current Planning