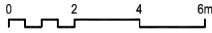
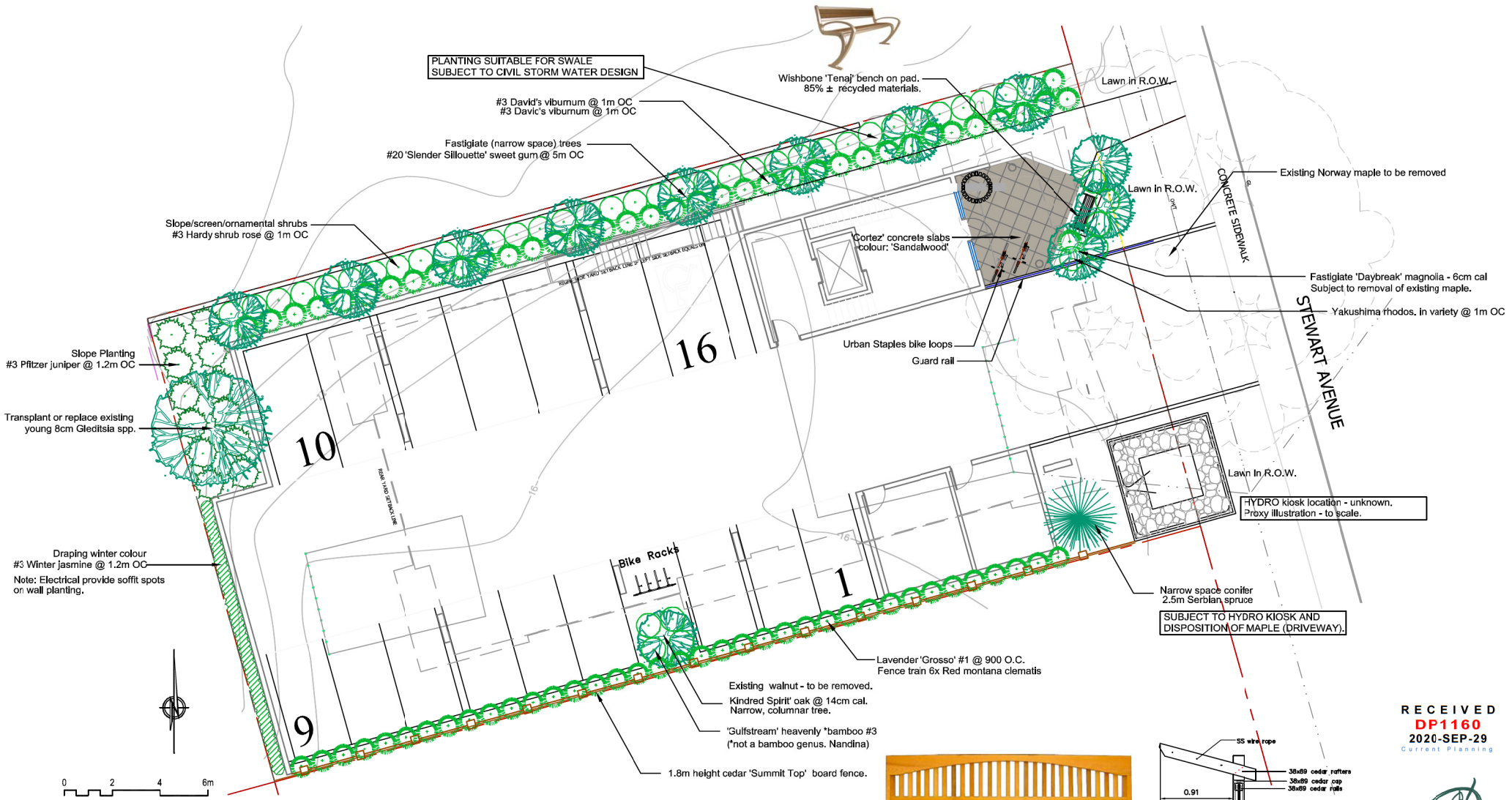
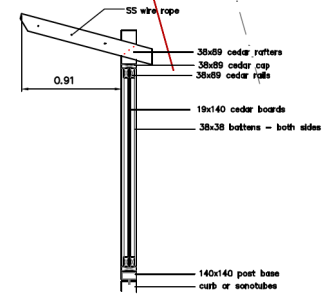


ATTACHMENT G PROPOSED LANDSCAPE PLAN AND DETAILS



145 Stewart Avenue Landscape Plan

Revisions	Date	Details	Int.
29/09/20	DPA - Maple in R.O.W.	TBR	JPH
07/10/20	DPA - Comprehensive letter		JPH
31/10/19	DPA - adjust to call input		JPH
21/08/19	DPA - for review		JPH
29/05/19	pre-application mtg		JPH



RECEIVED
DP1160
2020-SEP-29
Current Planning



JPH Consultants Inc.
434 Milton Street, Northmead, NSW 1585
Phone: 252744897, Cell: 252744899
Project: 19 - 145 Stewart
Date: 29/05/19
Drawn: JPH Checked: DFA
Scale: 1:150
Sheet: DPA-1 of 1