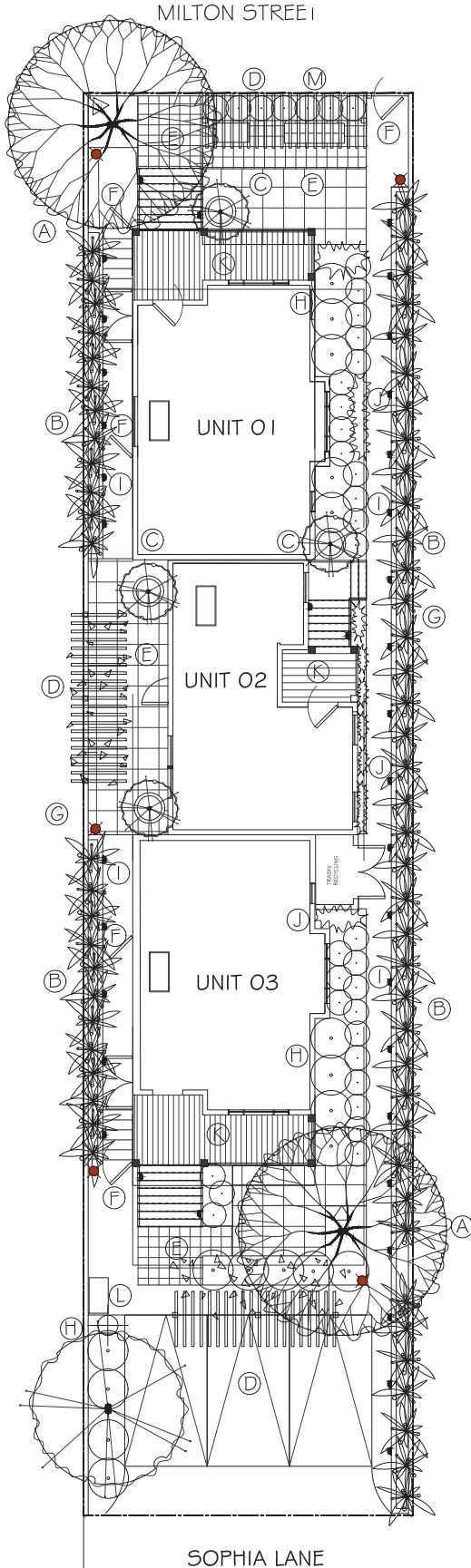
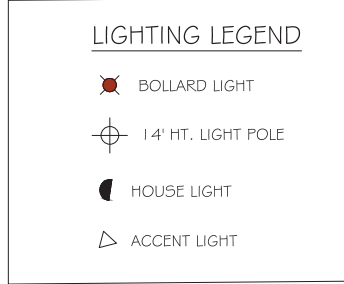
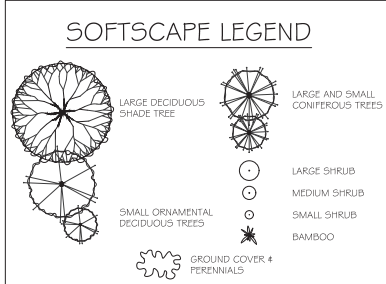


ATTACHMENT F LANDSCAPE PLAN AND DETAIL



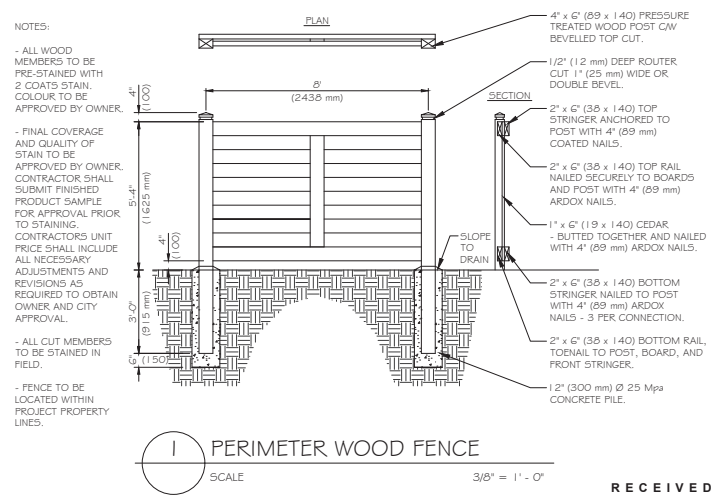
- (A) LARGE DECIDUOUS TREE
- (B) BAMBOO HEDGE IN PLANTER
- (C) FLOWERING TREE IN POT
- (D) TRELLIS WITH VINES
- (E) SPECIAL PAVING
- (F) GATE
- (G) PERIMETER FENCE
- (H) PLANTING AREA
- (I) CONCRETE WALKWAY
- (J) ORNAMENTAL GRASSES
- (K) WOOD DECK
- (L) TEMPORARY BIKE STORAGE
- (M) AMENITY AREA W/ BENCH & BIKE RACK



SUGGESTED PLANT LIST

	Key	Common Name	Latin Name	Size
Trees	FAGU	Columnar Purple Beech	Fagus sylvatica var. 'Dawyck Purple'	2.2m Ht
	JMAP	Japanese Maple	Acer palmatum var. 'Osakazuki'	6cm Cal.
Large Shrubs	PIER	Lily of the Valley Shrub	Pieris japonica var. 'Forest Flame'	#5 Pot
	PHYM	Black Cane Bamboo	Phyllostachys nuda	#7 Pot
Medium Shrubs	MRHA	Rhododendron	Rhododendron var. 'Unique'	#5 Pot
	ABE	Glossy Abelia	Abelia x grandiflora var. 'Edward Goucher'	#2 Pot
Small Shrubs	DMP1	Dwarf Lily of the Valley Shrub	Pieris japonica var. 'Debatante'	#1 Pot
	ELCP	Greenleaf Eucalyptus	Bionyx fortunei var. 'Emerald & Gold'	#1 Pot
	AZAP	Evergreen Azalea	Azalea japonica var. 'Sonnens Pink'	#2 Pot
	AZAW	Azalea x Girardinii Pleasant White	Girardinii Pleasant White Azalea	#2 Pot
Ground Covers	BEAR	Bearberry	Arctostaphylos uva-ursi var. 'Vancouver Jade'	SP4
	BERG	Heartleaf Benjamin	Bergera cordifolia var. 'Bressingham Ruby'	SP2
	VINC	Penselvie	Vinca minor var. 'Double Blue' & 'Alba'	SP4
Grasses	CARX	Vanedated sedge	Carex morrowii var. 'Ice Dance'	#1 Pot
	TESE	Flame Sedge	Carex testacea	#1 Pot
	MARL	Feather Reed Grass	Calamagrostis var. 'Karl Foerster'	#1 Pot
	FESC	Blue Fescue	Festuca elatior 'Elijah Blue'	#1 Pot
Perennials	HEUC	Coral Bells	Heuchera myrantha var. 'Bressingham Ruby'	SP7
Vines	CLEM	Montana Clematis	Clematis montana var. 'Jackmanii' & 'Elsabeth'	#5 Pot
	WIST	Wistaria	Wistaria sinensis var. 'Royal Purple'	#5 Pot

Notes - All landscape work to conform with B.C.S.L.A. / B.C.A.L.T.A. standard specifications.
- All areas to be irrigated with an automatic underground system.



RECEIVED
DP 1134
2020-FEB-11
GUYTON PUBLISHING

4★SITE
LANDSCAPE ARCHITECTURE
AND SITE PLANNING 250.508.7885

DATE:
JANUARY 2019
REVISED:
NOVEMBER 4, 2019
SCALE:
3/16" = 1' - 0"
DRAWN BY:
RF/BF

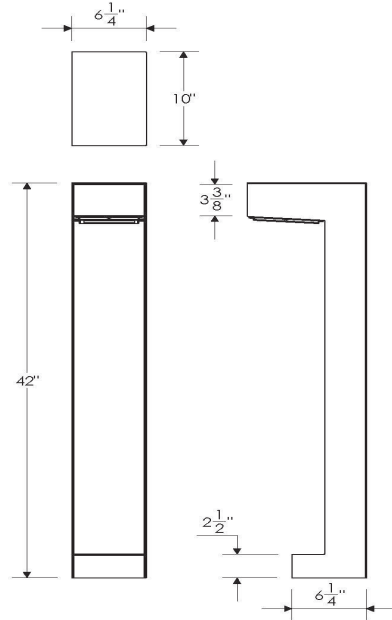
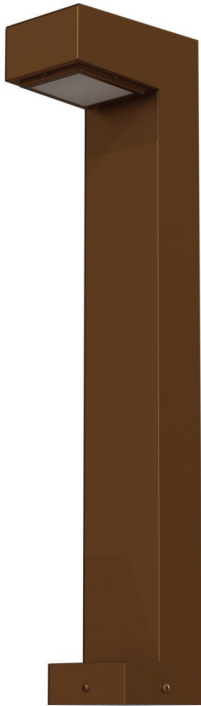
ADDRESS:
633 MILTON
NANAIMO, BC
CLIENT:
KAY HOLT & MARTIN WEBB

PROJECT NAME:
MILTON TRI-PLEX
LANDSCAPE CONCEPT PLAN



ACADIA BOLLARD SERIES

Catalog #		Type
Project		LED BOLLARD
Comments		
Prepared By		Date



DIMENSIONS: 42" H X 6 1/4" W X 10" D

SPECIFICATIONS

Material

All parts are durable .063 solid aluminum sheet fabricated for maximum strength.

Lens

Standard White Frosted Premium Acrylic or Clear Frosted Premium Acrylic

LED

ALTA Long Life, high-efficiency, surface mount LEDs mounted on MPCB Aluminum Boards

Lifespan:

100,000 hour LED lifespan based on IES LM-80 results and TM-21 calculations

Driver

0-10V Dimming Driver for 120/277 volt, Constant Current, metal case, 5 year warranty

Label

ETL Listed for US and Canada for Wet Location

ORDERING INFORMATION

Sample Number: AC-B-32-12W-AB-WF-LEMR

Series AC	Style Bollard	Size 32" 42"	Lamp 32" 12W 22W 42" 12W 22W	Finish Architectural Bronze (AB) Textured Bronze (TBR) Matte Black (MBK) Semi Gloss Black (GBK) Textured Black (TBK) Textured Rust (TR) Matte White (MW) Textured White (TW) Gloss White (GW) Metallic Grey (MG) Brushed Aluminum (BA) adder Metallic Nickel (MN) Textured Verde Patina (TVP) Satin Brass (SB) Copper Vein (CV) Gold Vein (GV) Silver Vein (SV) Chrome (CH)	Standard Lens White Frosted (WF) Clear Frosted (CFA) Optional Lens White Alabaster (WA) Honey Onyx (HO) Natural Horn (NH) Beige Alabaster (BA) Honey Swirl (HS)	Options LED EMR - Up to 24W OCC Sensors Photo Cell Control
DELIVERED LUMENS PER WATT						
2700K = 80						
3000K = 90						
3500K = 100						
4100K = 110						

Evergreen Lighting
www.evergreenlighting.com